



LILITH
design: Studio Alteam

LILITH

design: Studio Alteam

pendant

Diffuser: cotton threaded hand made lamp shade

Diffuser color: white, black, red, silver or mocha, with satin white glass cover

Structure: brushed nickel

suspension

Diffuseur: fil de coton, verre satiné (part inférieure)

Couleur diffuseur: blanc, noir, rouge, argent, moka

Armature: nickel brossé

lámpara de suspensión

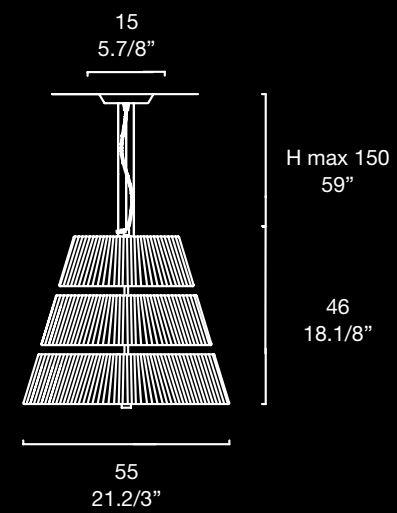
Difusor: hilo de algodón, vidrio satinado (parte inferior)

Color difusor: blanco, negro, rojo, plata, moka


Soporte: níquel cepillado


Dimensions


LILITH S 3



Lamp type

 3 x 25W E12

 4 x 40W E12

 4 x 40W E26

